

THIS COPY IS PROVIDED ON A RESTRICTED BASIS AND IS NOT TO BE USED IN ANY WAY DETRIMENTAL TO THE INTERESTS OF PANDUIT CORP.

PART NUMBER	LENGTH (MINIMUM)	PACKAGE TYPE	WEIGHT
FG5**5.0-A	5 FEET	LENGTH	.456 lb/ft [.69 g/mm]
FG5**25.0-A	25 FEET	COIL	.456 lb/ft [.69 g/mm]

H

G C

D

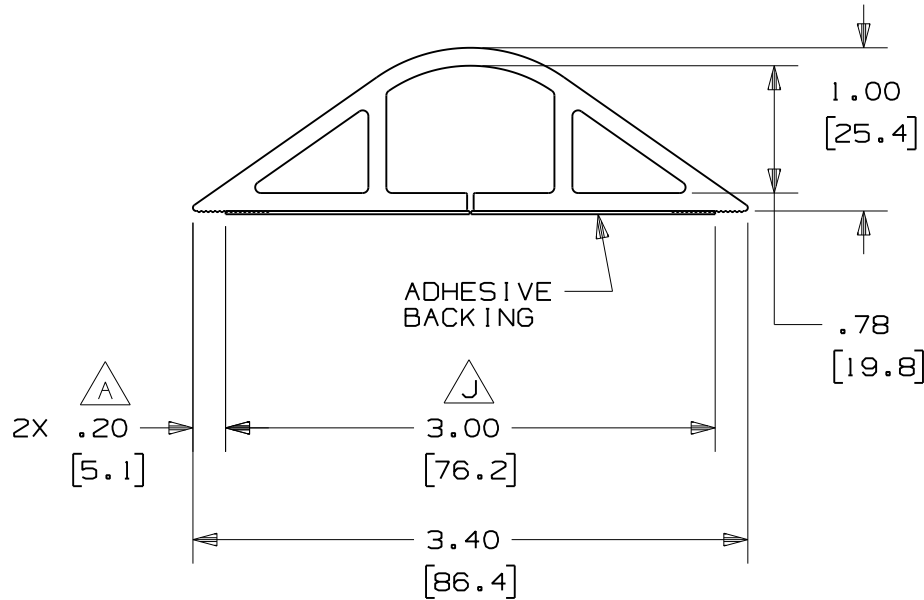
H

B

B

NOTES:

- SEE CURRENT CATALOG FOR ADDITIONAL PART NUMBER SUFFIXES TO INDICATE COLOR AND/OR PACKAGE QUANTITY.
- DIMENSIONS IN PARENTHESIS ARE IN METRIC.
- NOMINAL WALL THICKNESS IS .12 [3.0]
- TO APPLY PART:
 - CUT FLOORGUARD TO DESIRED LENGTH.
 - INSERT WIRES INTO FLOORGUARD.
 - APPLY TAPE TO FLOORGUARD. (TAPE IS TO BE CENTRALLY LOCATED ON THE FLOORGUARD AS SHOWN ON THE DRAWING)
 - REMOVE RELEASE LINER FROM TAPE AND PLACE FLOORGUARD ON A CLEAN, DRY SURFACE.
 - APPLY PRESSURE TO ENTIRE LENGTH OF FLOORGUARD TO OBTAIN MAXIMUM ADHESION.
- NO WARRANTY, EXPRESSED OR IMPLIED, IS MADE BY PANDUIT WITH RESPECT TO ADHESIVE BOND PERFORMANCE. AMONG OTHER THINGS, THE CONDITIONS UNDER WHICH THESE PRODUCTS MAY BE APPLIED AND/OR THE SURFACE TO WHICH THEY MAY BE APPLIED ARE BEYOND PANDUIT'S CONTROL.



B F

CAD FILENAME/LAYERS D39735BA_DC_FG5/07B

-	-----	---	---	K. [.XX] TOLERANCE WAS .05 [1.3]	-----	---	---			<p>PANDUIT CORP. TINLEY PARK, ILLINOIS</p> <p>FLOORGUARD (FG5)</p> <p>CUSTOMER DRAWING</p>
-	-----	---	---	J. ADDED TAPE WIDTH DIMENSION I. SCALE WAS FULL	-----	---	---			
3	12.30.10	BDK	JBN	H. COMBINED AND MODIFIED NOTES G. REVISED PART NUMBERS AND LENGTH	39735-02	PATR	RTF1			<p>UNLESS OTHERWISE SPECIFIED, DIMENSIONAL TOLERANCES ARE:</p> <p>[.X] ± (.XXX) ± [K] [.XX] ± .03 [.8] ANGLES ± 1°</p>
-	-----	---	---	RELEASED TO PRODUCTION	-----	---	---			
-	-----	---	---	F. REVISED PART GEOMETRY E. REVISED PART WEIGHT	-----	---	---			<p>UNLESS OTHERWISE SPECIFIED, ALL DIMENSIONS ARE GIVEN IN INCHES, THIRD ANGLE PROJECTION.</p>
2	04-28-09	BDK	JBN	D. REVISED LENGTH: 25 FOOT WAS 50 FOOT C. REVISED PART NUMBER (DROP "S")	39735-02	JBN	RTF1			
1	06-25-08	BDK	PM	B. REVISED UNIT NOTATION AND NOTE 2 A. REVISED TAPE WIDTH						<p>DRAWN BY BDK</p> <p>DATE 3-17-08</p> <p>CHK'D PM</p>
R	3-17-08	BDK	PM	DRAWING RELEASED						<p>MAT'L: FLEXIBLE VINYL</p>
REV	DATE	BY	CHK	DESCRIPTION	ECN	CHK	CUST	SUP		<p>SCALE NONE [I]</p> <p>DRAWING NO. 39735-02</p> <p>DWG SIZE A</p>